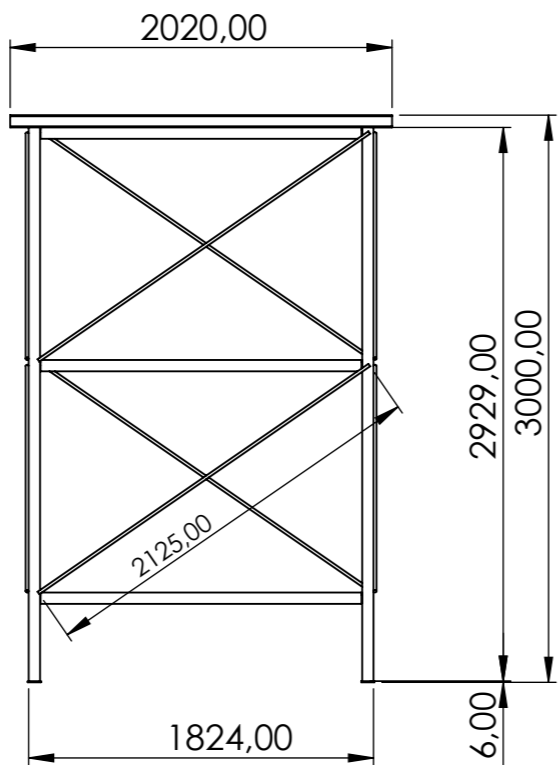
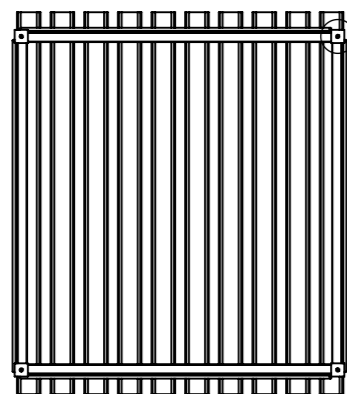
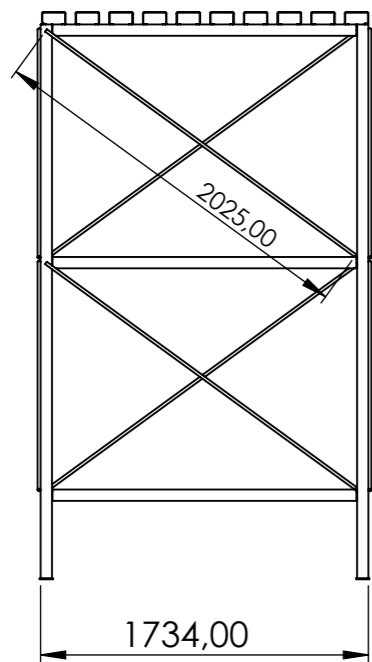
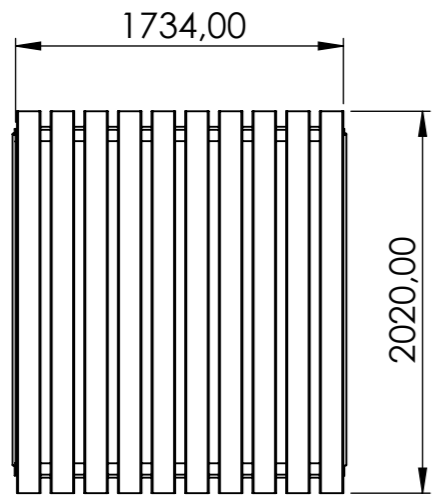
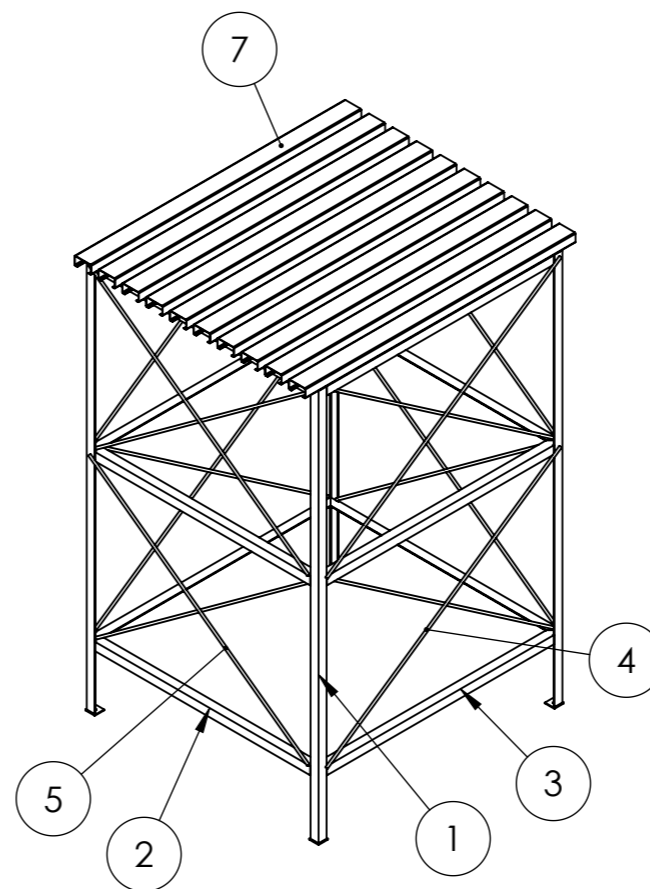


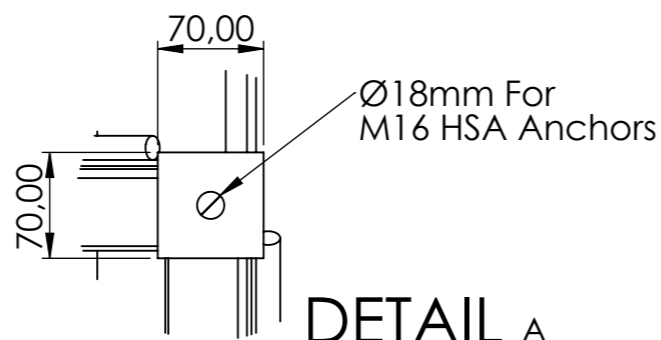
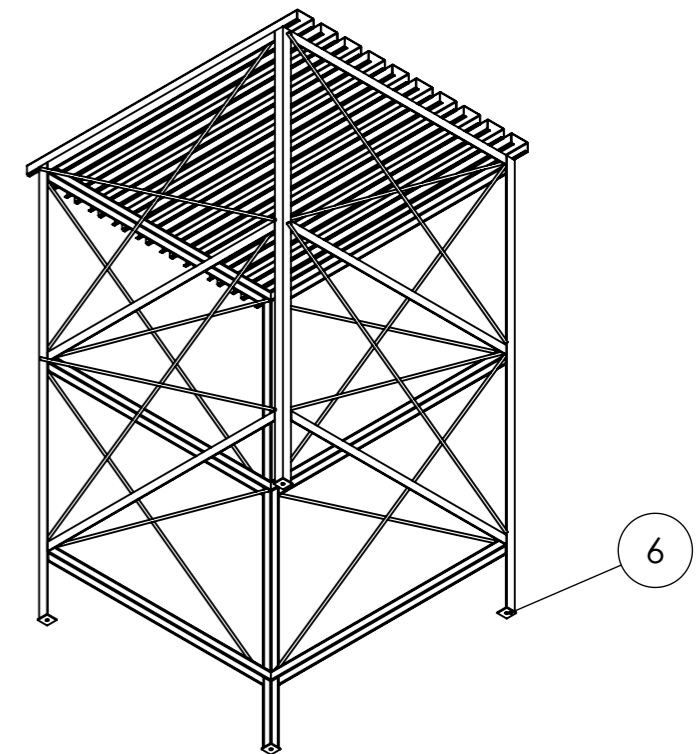
8 7 6 5 4 3 2 1



ITEM NO.	PART NUMBER	DESCRIPTION	STOCKSIZE	LENGTH	QTY.
1	019-J017-Platform-P001	Upright	60x60x6 L	2929,00	4
2	019-J017-Platform-P002	Cross beam	60x60x6 L	1734,00	6
3	019-J017-Platform-P003	Cross beam	60x60x6 L	1824,00	6
4	019-J017-Platform-P004	Cross brace	Ø16 Rnd bar	2125,00	8
5	019-J017-Platform-P005	Cross brace	Ø16 Rnd bar	2025,00	8
6	019-J017-Platform-P006	Base plate	6mm Plate	70,00 x 70,00	4
7	019-J017-Platform-P007	Platform	Ø16 Rnd bar 125x65x2.5 Lipped channel	2020,00	10



Material: Grade 350W Mild steel
 Finish: One coat primer, One coat general purpose undercoat and Two coats gloss enamel.
 Colour: to be determined.



DETAIL A
SCALE 1 : 5

THE INFORMATION CONTAINED IN THIS DRAWING IS THE SOLE PROPERTY OF MATLAKSE. ANY REPRODUCTION WITHOUT THE WRITTEN PERMISSION OF MATLAKSE IS PROHIBITED IN TERMS OF THE COPY RIGHT ACT	NAME	SIGNATURE	DATE:	PART NO.	019-J017-Platform-3m
	DRAWN BY: Gary Bishop		2018/03/20	DESCRIPTION:	Platform
	CHECKED:			CONFIGURATION:	Default
	APPROVED:			DRAWING NO.	019-J017-Platform-3m
CAD GENERATED DRAWING, DO NOT MANUALLY UPDATE	IF IN DOUBT, CONSULT DRAWING DEPARTMENT	DO NOT SCALE OFF DRAWING	DIMENSIONS IN mm	ALL PAGES TO BE SIGNED OFF BEFORE PRODUCTION	SIZE A3 SCALE:1:40 SHEET 1 OF 1

DUYS TANKS

Email: grant.heroldt@duys.co.za
 Tell No.: 011 7692738
 Fax No.: 011 7692742
 Website: www.duysroto.co.za

8 7 6 5 4 3 2 1