

A

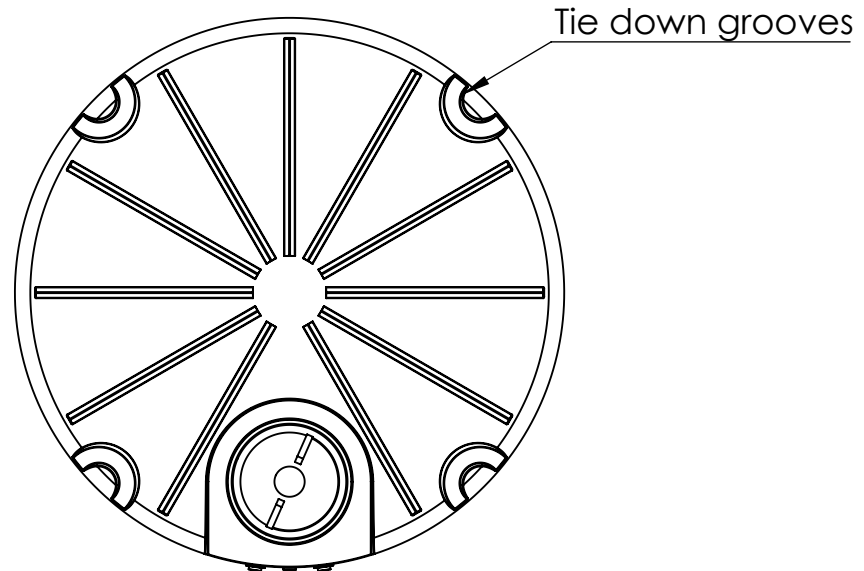
B

C

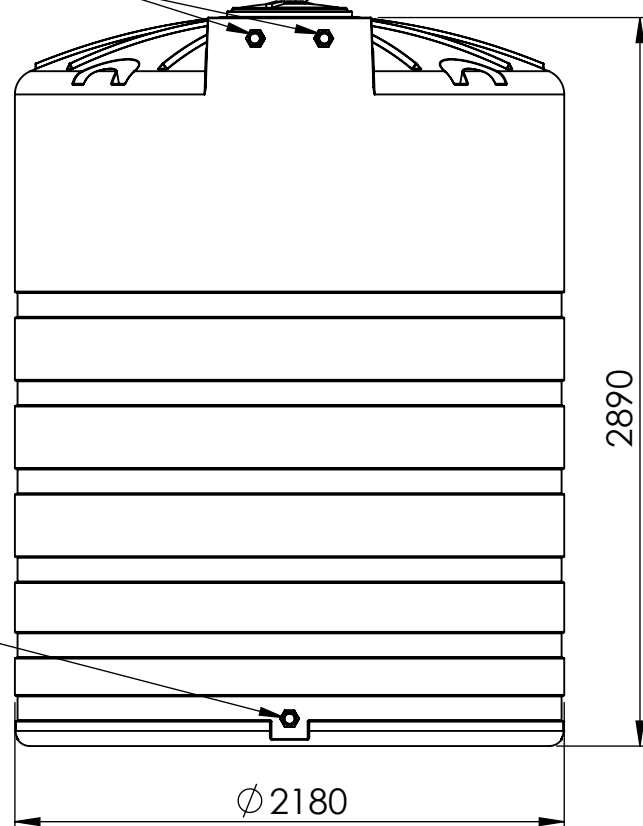
D

E

F



50/40mm Reducer Inlet & Overflow
 480mm clip on lid for water storage
 450mm screw on lid for chemical storage



THE INFORMATION CONTAINED IN THIS DRAWING IS THE SOLE PROPERTY OF THE DUYS ANY REPRODUCTION WITH OUT THE WRITTEN PERMISSION OF DUYS IS PROHIBITED IN TERMS OF THE COPY RIGHT ACT

CAD GENERATED DRAWING, DO NOT MANUALLY UPDATE

IF IN DOUBT, CONSULT DRAWING DEPARTMENT

DO NOT SCALE OFF DRAWING

DIMENSIONS IN mm

NOTES:
 - Material: LLDPE
 - Available in multiple colours.
 - Chemical or water storage
 - Weights will vary depending on use or request.
 - Sizes may vary slightly.
 - Fittings to client request.

DESCRIPTION:	10000 Vertical tank
DRAWING NO.	10000 Vertical tank
SIZE A3	SCALE:1:30
SHEET 1 OF 1	

DUYS TANKS

Email: grant.heroldt@duys.co.za
 Tell No.: 011 7692738
 Fax No.: 011 7692742
 Website: www.duysroto.co.za