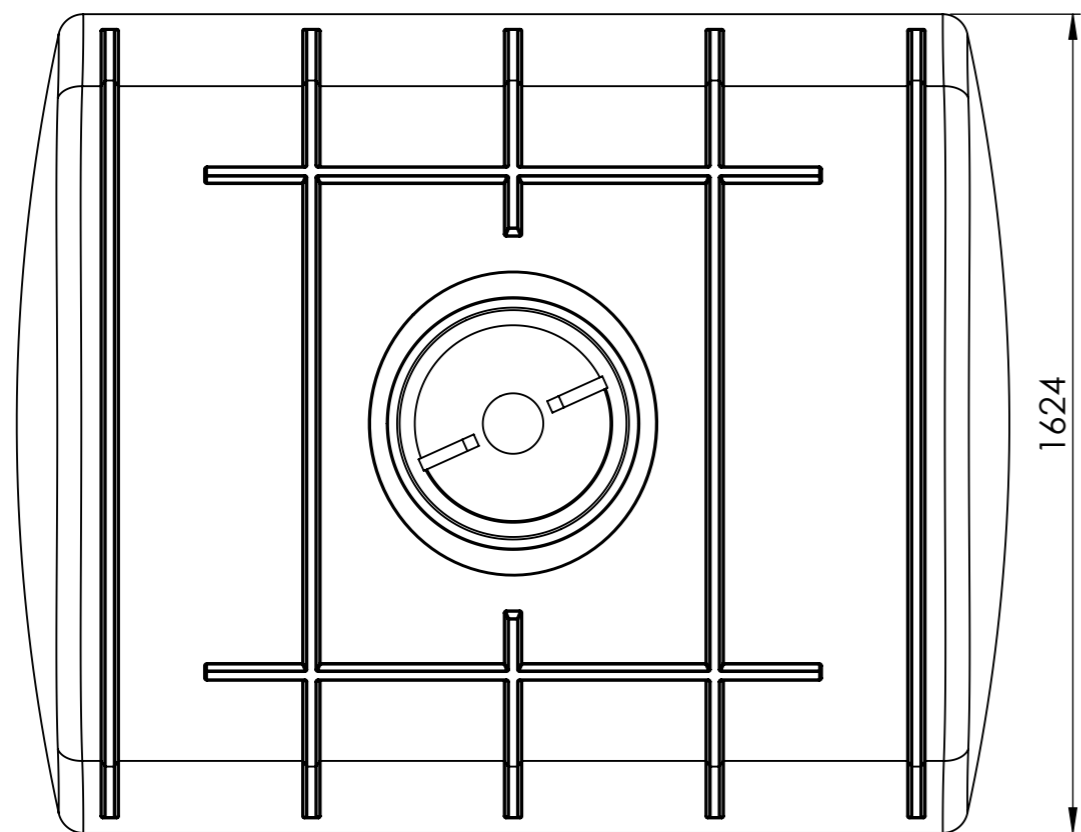
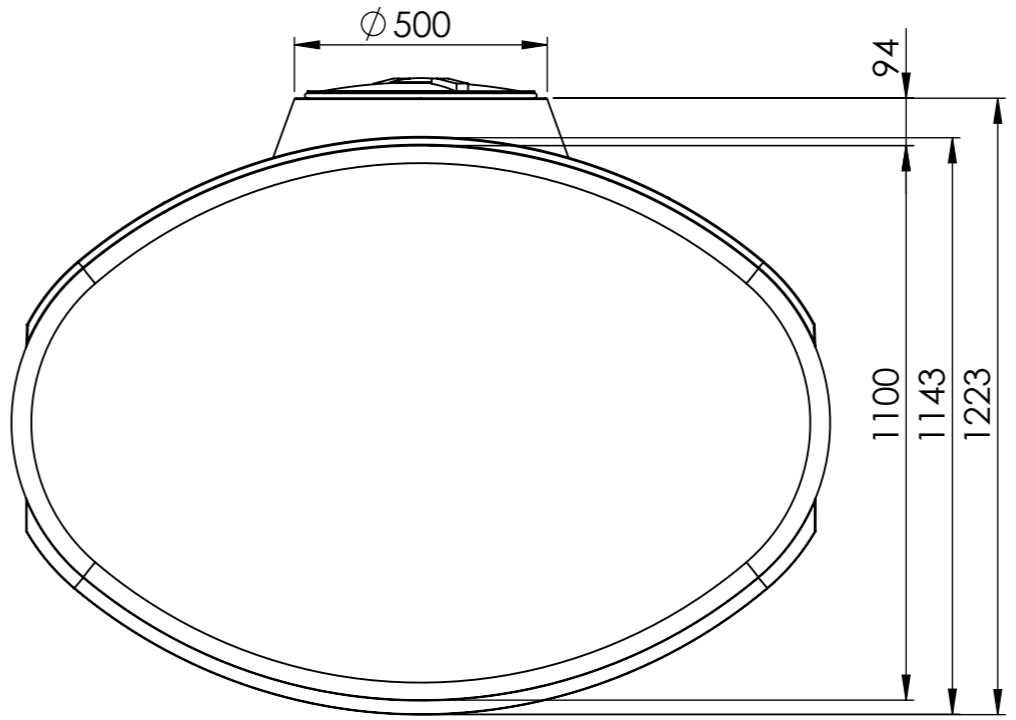
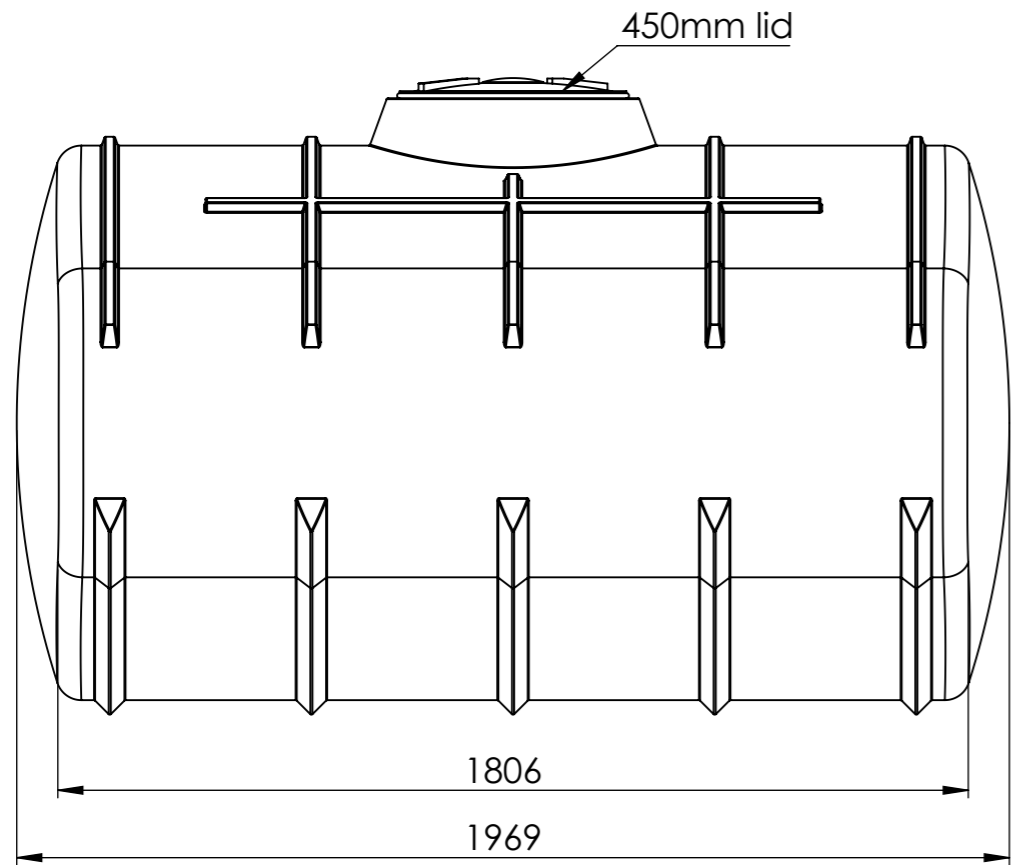


A  
B  
C



D  
E



F

THE INFORMATION CONTAINED IN THIS DRAWING IS THE SOLE PROPERTY OF THE DUYS ANY REPRODUCTION WITH OUT THE WRITTEN PERMISSION OF DUYS IS PROHIBITED IN TERMS OF THE COPY RIGHT ACT	NAME	SIGNATURE	DATE:	NOTES: - Material: LLDPE - Available in multiple colours. - Chemical or water storage - Weights will vary depending on use or request. - Sizes may vary slightly. - Fittings to client request.	DESCRIPTION:	2500L horizontal tank
	DRAWN BY: Gary Bishop (072 620 7295)		2017/04/13		DRAWING NO.	2500L horizontal tank, No Legs
	APPROVED:				SIZE A3	SCALE:1:15
	CHECKED:				SHEET 1 OF 1	
CAD GENERATED DRAWING, DO NOT MANUALLY UPDATE	IF IN DOUBT, CONSULT DRAWING DEPARTMENT	DO NOT SCALE OFF DRAWING	DIMENSIONS IN mm			<b>DUYS TANKS</b> Email: grant.heroldt@duys.co.za Tell No.: 011 7692738 Fax No.: 011 7692742 Website: www.duysroto.co.za