

A

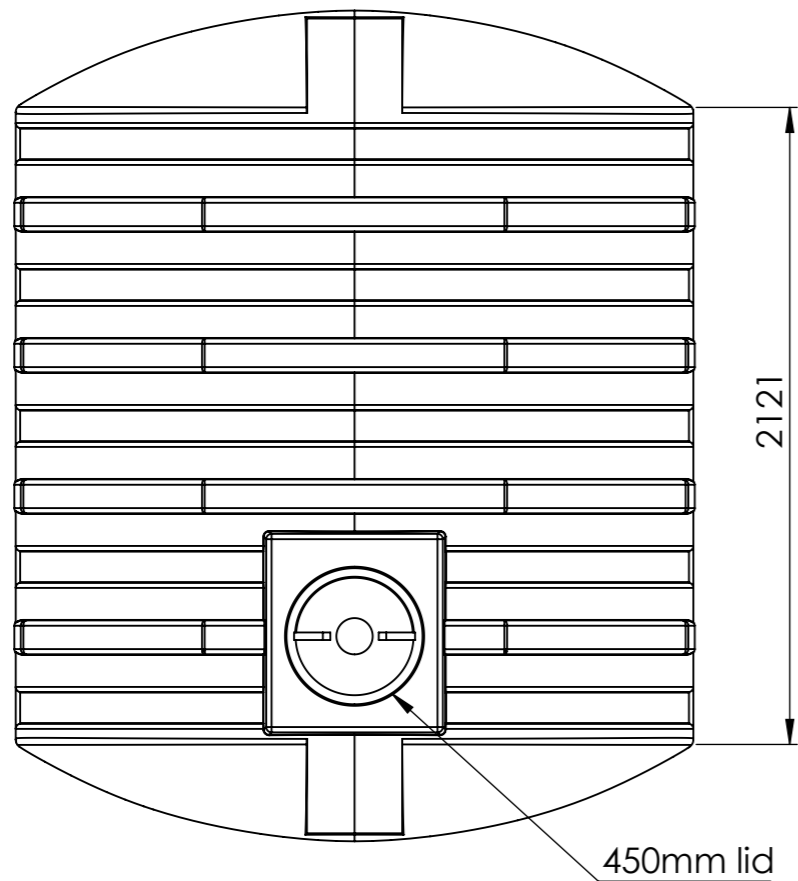
B

C

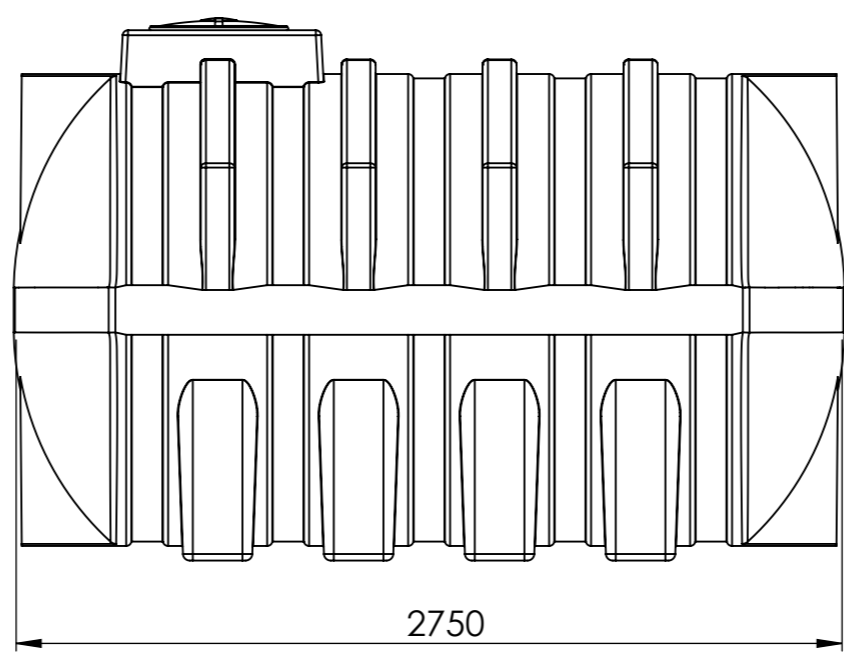
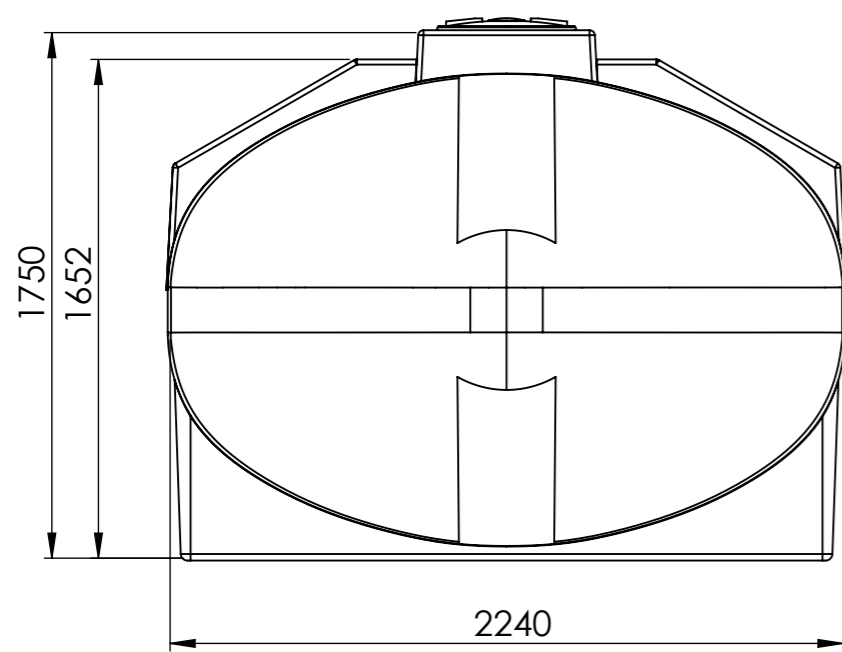
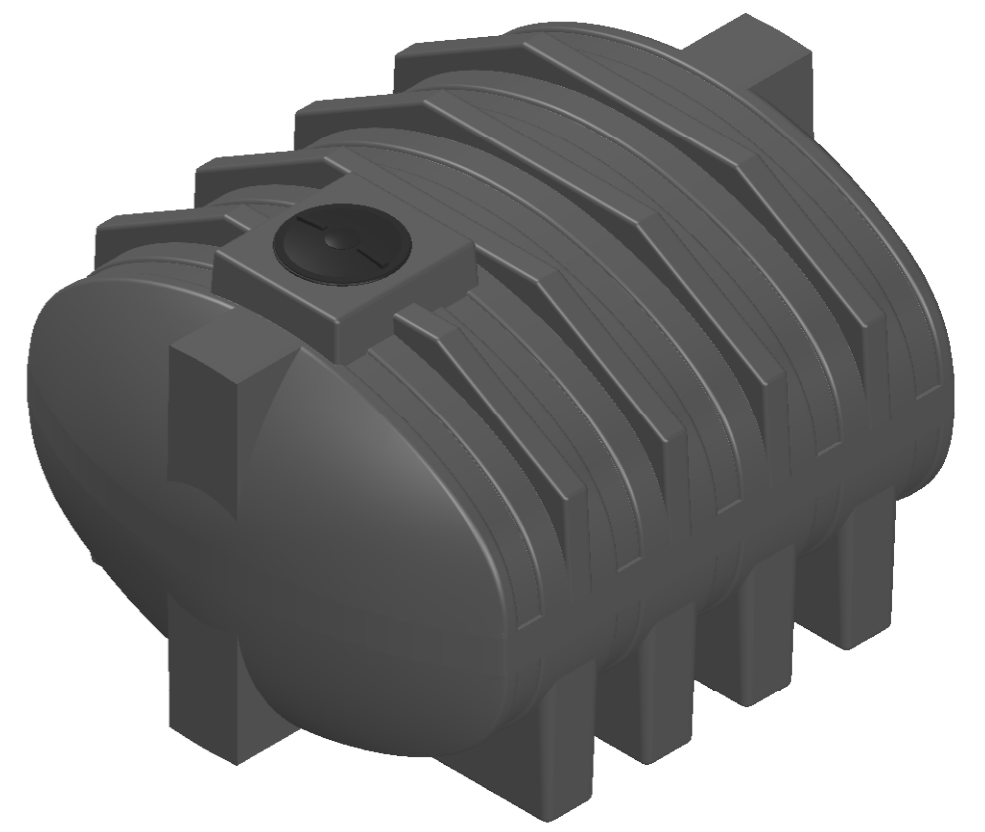
D

E

F



450mm lid



THE INFORMATION CONTAINED IN THIS DRAWING IS THE SOLE PROPERTY OF THE DUYS ANY REPRODUCTION WITH OUT THE WRITTEN PERMISSION OF DUYS IS PROHIBITED IN TERMS OF THE COPY RIGHT ACT

	NAME	SIGNATURE	DATE:	NOTES: - Material: LLDPE - Available in multiple colours. - Chemical or water storage - Weights will vary depending on use or request. - Sizes may vary slightly. - Fittings to client request.
DRAWN BY:	Gary Bishop (072 620 7295)		2017/04/13	
APPROVED:				
CHECKED:				
CAD GENERATED DRAWING, DO NOT MANUALLY UPDATE	IF IN DOUBT, CONSULT DRAWING DEPARTMENT	DO NOT SCALE OFF DRAWING	DIMENSIONS IN mm	

DESCRIPTION:	6500L horizontal tank
DRAWING NO.	6500L horizontal tank
THIRD ANGLE PROJECTION	
SIZE A3	SCALE:1:25
SHEET 1 OF 1	

DUYS TANKS

Email: grant.heroldt@duys.co.za
 Tell No.: 011 7692738
 Fax No.: 011 7692742
 Website: www.duysroto.co.za