

A

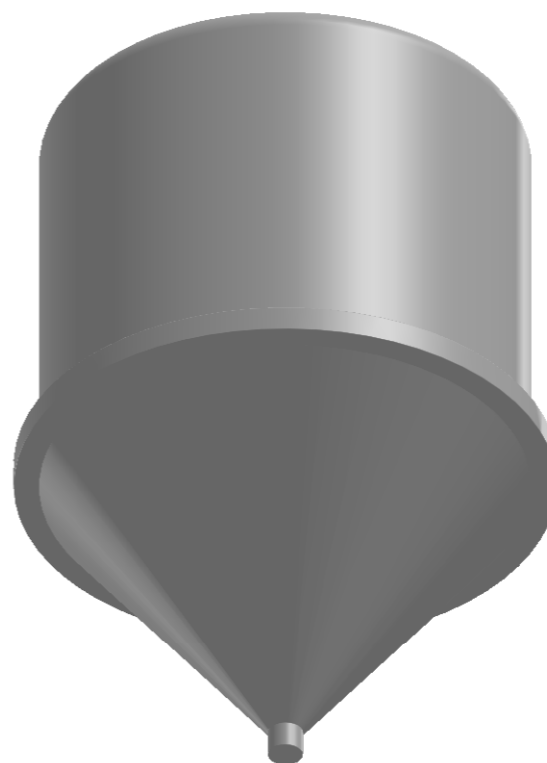
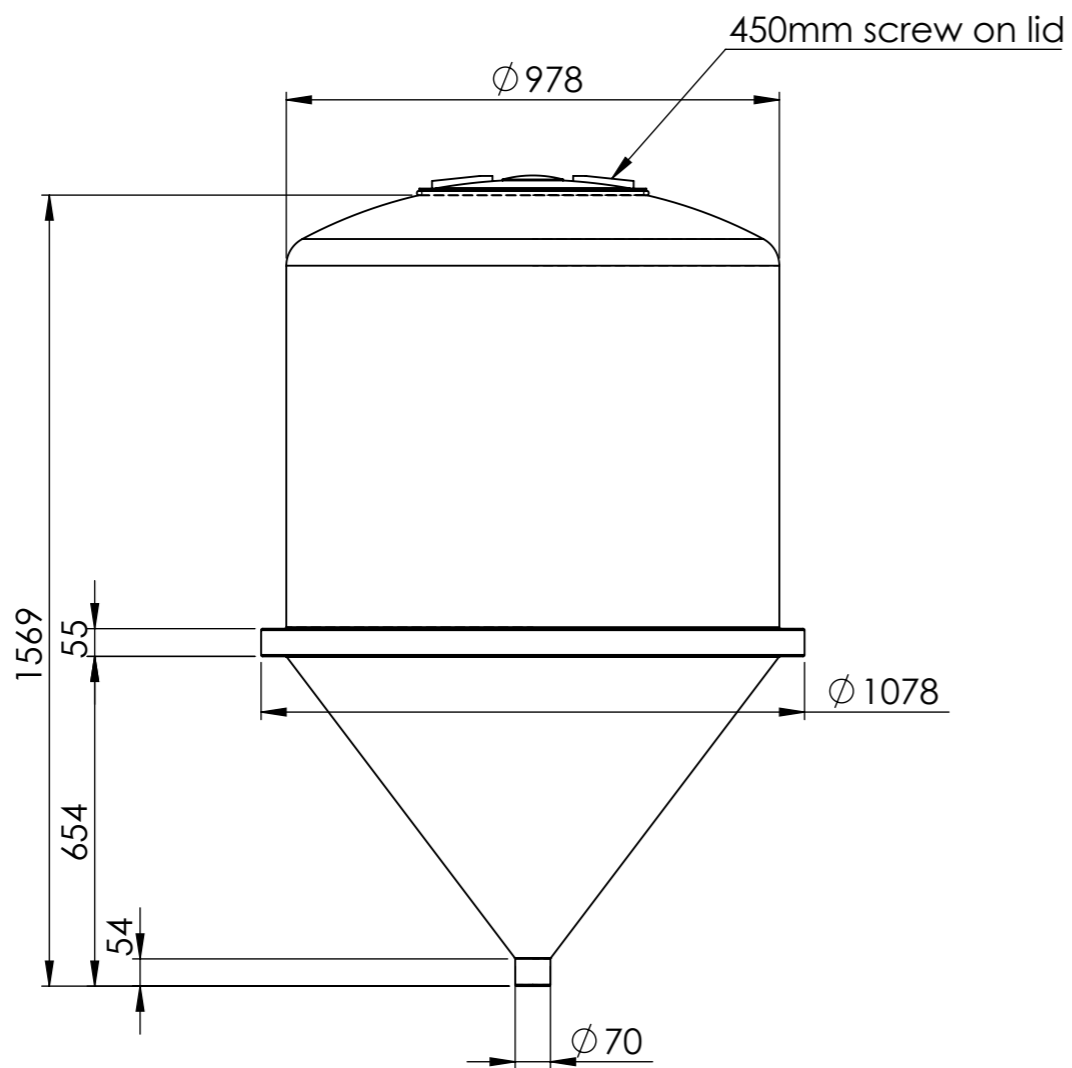
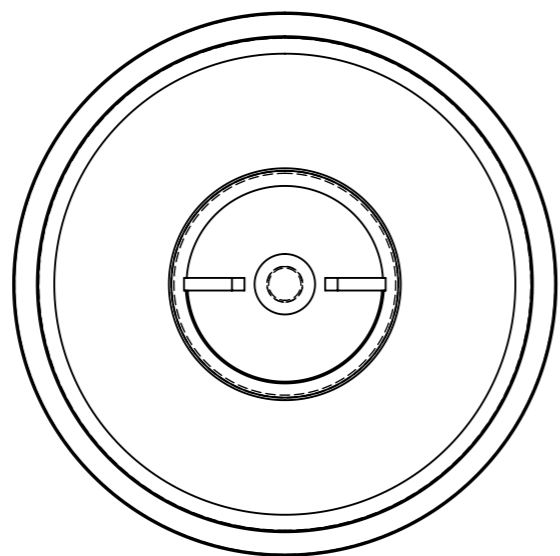
B

C

D

E

F



THE INFORMATION CONTAINED IN THIS DRAWING IS THE SOLE PROPERTY OF THE DUYS ANY REPRODUCTION WITH OUT THE WRITTEN PERMISSION OF DUYS IS PROHIBITED IN TERMS OF THE COPY RIGHT ACT

NAME	SIGNATURE	REVISION	DATE:
DRAWN BY: Gary Bishop (072 620 7295)		1	2016/05/20
APPROVED:			
CHECKED:			

CAD GENERATED DRAWING, DO NOT MANUALLY UPDATE	IF IN DOUBT, CONSULT DRAWING DEPARTMENT	DO NOT SCALE OFF DRAWING	DIMENSIONS IN mm
---	---	--------------------------	------------------

NOTES:

- Material: LLDPE
- Available in multiple colours.
- Chemical or water storage.
- Weights will vary depending on use or request.
- Sizes may vary slightly.

DESCRIPTION:	800L Silo Tank
DRAWING NO.	800L Silo Tank
THIRD ANGLE PROJECTION	SIZE A3 SCALE:1:15
	SHEET 1 OF 1



Email: grant.heroldt@duys.co.za
 Tell No.: 011 7692738
 Fax No.: 011 7692742
 Website: www.duysroto.co.za